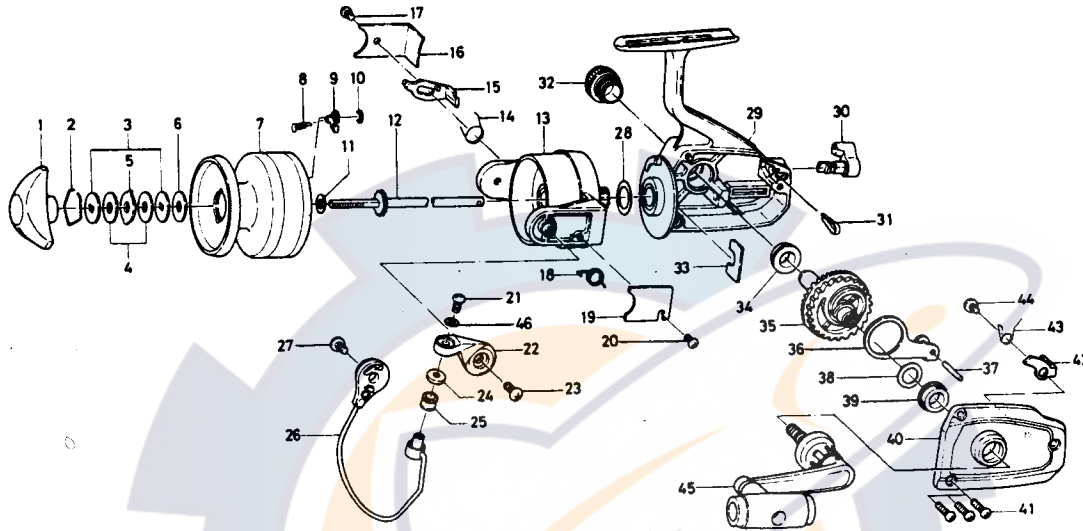


SPINNING REEL A-160X



Key No.	Parts No.	Parts Name	Key No.	Parts No.	Parts Name
1	6-740-2103	Drag knob	24	6-501-1601	Roller collar
2	6-170-4001	Drag washer retainer	25	6-250-4221	Line roller
3	6-373-2502	Drag D washer	26	6-B18-5001	Bail
4	6-374-2901	Disc washer	27	6-353-8202	Bail holder screw
5	6-375-5301	Drag A washer	28	6-370-9800	Rotor washer
6	6-370-6901	Drag washer A	29	6-B18-3801	Body
7	6-B18-0402	Spool	30	6-B18-4101	Anti-reverse lever
8	6-145-2101	Spool click claw spring	31	6-B11-4301	Anti-reverse lever spring
9	6-B07-5301	Spool click claw	32	6-B07-4704	Handle screw cap
10	6-320-5901	Spool click claw retainer	33	6-632-6601	Pinion retainer
11	6-371-8331	Spool washer	34	6-B07-3301	Bearing metal
12	6-B18-5301	Main shaft	35	6-B20-3201	Drive gear
13	6-B18-4201	Rotor	36	6-480-7501	Oscillating slider
14	6-B18-4701	Bail kick lever spring	37	6-121-1211	Oscillating slider pin
15	6-B18-4801	Bail kick lever	38	6-371-2800	Drive gear washer
16	6-B18-4901	Bail kick lever cover	39	6-B07-3301	Bearing metal
17	6-352-0402	Bail kick lever cover screw	40	6-B18-5501	Body cover
18	6-B18-4401	Bail spring	41	6-351-5904	Body cover screw
19	6-B18-4601	Bail spring cover	42	6-111-7101	Anti-reverse claw
20	6-352-0402	Bail spring cover screw	43	6-142-3961	Anti-reverse claw spring
21	6-353-8202	Bail screw	44	6-351-6102	Anti-reverse claw screw
22	6-B18-4501	Arm lever	45	6-B18-5801	Handle
23	6-353-8202	Arm lever screw	46	6-375-1001	Bail washer